

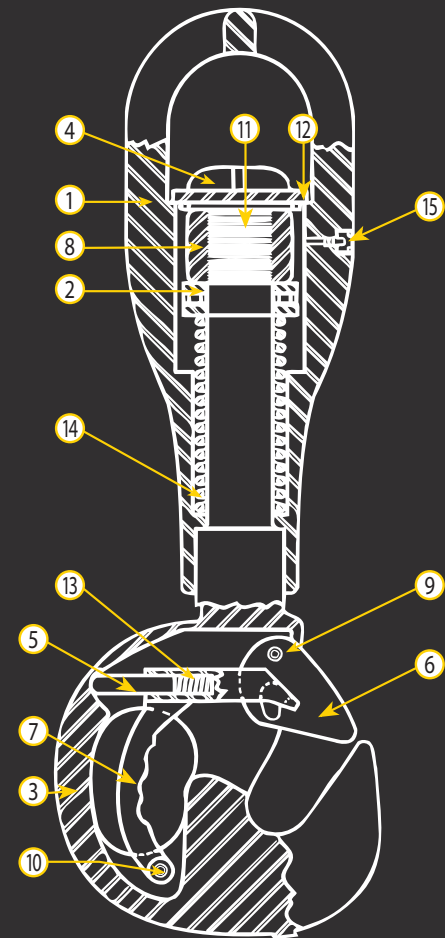


Snap-In Spring Lift Rod Hook

Capacity 35,000 (Lb)/17.5 Ton

DESCRIPTION	NO. REQ	PART NUMBER	REPAIR KIT CONTENTS	WEIGHT	LENGTH
Hook, Complete		554-578-800		65 (Lb)	28"
Components					
① Bail	1				
② Bearings, Roller, Heavy Duty	1	554-543-400			
③ Body	1				
④ Cap, Grease	1	554-542-500			
⑤ Housing, Spring	1	544-544-800	1		
⑥ Latch	1	554-544-400	1		
⑦ Lever	1	554-544-200	1		
⑧ Nut	1	554-542-901			
⑨ Pin, Latch	1	554-543-105	1		
⑩ Pin, Lever	1	554-543-100	1		
⑪ Plug, Ball	1	554-542-700			
⑫ Grease Cap Gasket	1	554-542-500			
Screw, Cap, Grease	1	554-542-600			
⑬ Spring	1	554-544-700	1		
⑮ Spring, Coil	1	554-543-700			
⑭ Grease Fitting	1	554-578-700			
Accessories					
Kit, Repair		554-579-000			

The Trico Snap-In Spring Lift Rod Hook has an extra long shank containing a heavy coil spring which supports the section of rods being pulled. The spring protects the rod threads while the rods are being removed from the tubing. The additional weight of this hook assists in unspooling the line from the pulling unit.



WARNING

At Topco we take risk management seriously by ensuring that all overhead lifting equipment to be re-certified is inspected and tested using the following criteria:

- Dimensional checks
- Wear allowance checks
- NDE inspections
- Critical area inspections
- Load testing to 1.5 times rated load

These criteria exceed the CAODC Level IV inspections requirements for re-certification and reduce the risk of failure when operated to within its rated capacity. The load tests provide additional confidence that the equipment is suitable for continued service.

Fatigue Rated

Fatigue rated and tested to 1.5 times the maximum rated load for 20,000 cycles without failure in accordance with European Standard EN 1677-1.

Low Temp

Suitable for low temperature service to -50° F

Load Rated

Minimum breaking force of all products is 4 times the maximum rated load in accordance with European Standard EN 1677 - 1 Exceeds API Specification 8 C, 4th Edition for minimum breaking force requirements.

Proof Tested

Proof tested to 1.5 the maximum rated load. Exceeds API Specification 8C for proof load test requirements.