



TOPCO OILSITE PRODUCTS LTD.

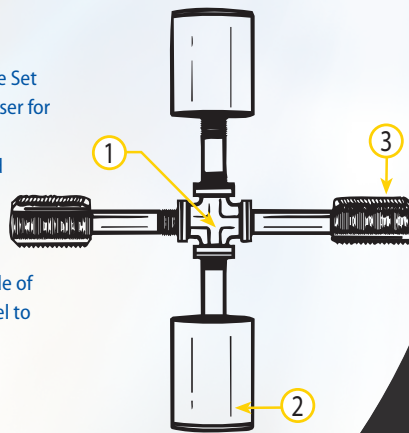
"Quality Products and Services for Fluid Control"

Rod Buster Sucker Rod Wrench

SUCKER ROD WRENCH ASSEMBLY PART NUMBER	ROD COUPLING SQUARE SIZE (INCHES)	SIZE OF SUCKER ROD (INCHES)	HANDLE LENGTH (INCHES)	WRENCH HEAD PART #2
555-560-000	7/8"	5/8 SR	19"	555-560-100
555-560-050	1"	3/4 - 7/8 SR	19"	555-560-200
555-560-065 EL	1 1/8"	7/8 EL SR	19"	555-560-250 EL
555-560-075	1 5/16"	1" SR - 1 1/4	19"	555-560-275
555-560-175	1 1/2"	1 1/8 SR	19"	555-560-285
Parts:	Wrench			
① 555-560-375	Handle			
③ 555-560-400	Spring			
④ 555-560-500	Plunger			
⑤ 555-560-700	Bushing			
⑥ 555-560-600	Rivet			
555-560-950	Repair Kit - Consists of 1 Spring, 1 Plunger, 1 Rivet, 1 Bushing			

Combination Tap & Die Set

The Trico Combination Tap and Die Set is a handy on-the-spot thread chaser for use on all well servicing units. It allows the operator to repair rod threads and couplings in the field by setting correct factory thread pitch and contact area. The tool comes in three models and is made of the highest quality hardening steel to withstand severe service.

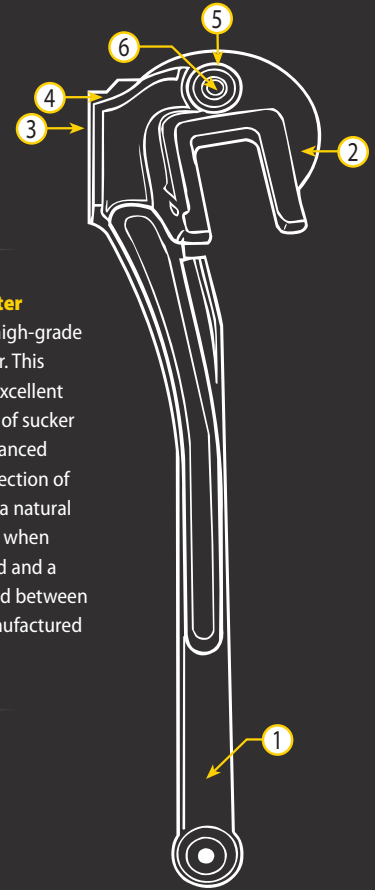


9519 - 28th Avenue
 Edmonton, Alberta, Canada T6N 1N1
Ph: 780/436-3400 • **Fax:** 780/436-3659
Toll Free: 1-800-222-6448
Toll Free Fax: 1-888-867-2626
www.topcooilsite.com



WELL SERVICING TOOLS

Canadian Made



The Trico snap-action Rod Buster

Sucker Rod Wrench is made of high-grade alloy steel, hardened to resist wear. This lightweight (6 lb.) rugged tool is excellent for manual makeup and breakout of sucker rod joints. It features a counterbalanced grip to reduce fatigue. The cross-section of the handle is oval which provides a natural resistance to the wrench spinning when gripped. The head is spring-loaded and a hardened steel bushing is provided between the wrench head and handle. Manufactured to API 17K Impact Toughness.

DESCRIPTION	WT (Lb)	PART NUMBER
Tap and Die Set, Combination		
(Two Taps and Two Dies)		
5/8" and 3/4" API	5 1/2	556-786-010
3/4" and 7/8" API	6 1/2	556-786-020
7/8" and 1" API	6 1/2	556-786-030
Components:		
① Hub		556-786-300
② Die		
5/8" API (15/16")		556-787-400
3/4" API (1 1/16")		556-787-600
7/8" API (1 3/16")		556-787-700
1" API (1 3/8")		556-787-800
③ Tap		
5/8" API Coupling (15/16")		556-786-600
3/4" API Coupling (1 1/16")		556-786-800
7/8" API Coupling (1 3/16")		556-786-900
1" API Coupling (1 3/8")		556-787-000