



Engineered for High Performance

FS300
Thunderbird!

LINEAR MOTION
SHALE SHAKER

- *Reliable*
- *Versatile*
- *Economical*



Rough Neck... Tough!

FS300 LINEAR MOTION SHALE SHAKER

DESIGN FEATURES

- ✓ Power packed with 7.7 G Forces !!
- ✓ Improved Wedge Lock Design
- ✓ Extra Heavy Duty Frame & Pan
- ✓ Martin or Vimar vibrators Motors
- ✓ Heavy Duty Rubber Loop Isolators

DIMENSIONAL DATA

Size: 122" L X 79" W X 59" H
Weight: 5470 Lbs.
Deck Angle: -2 to + 6 degrees variable
Vibration: 30 HZ Linear Motion
G Force: 7.7 Max. adjustable

- ◆ The O'Drill FS300 is a high-G force linear motion machine designed for maximum flow of drill fluids.
- ◆ FS300 utilizes the wedge system for quick screen changing.
- ◆ The FS300 Shale Shaker Screens are readily available around the world!
- ◆ The O'Drill Shale Shaker is a reliable heavy duty work horse!
- ◆ Special Introductory prices ...offered.

*Try It...
We guarantee, you'll like it !!!*

O'DRILL/MCM, INC.

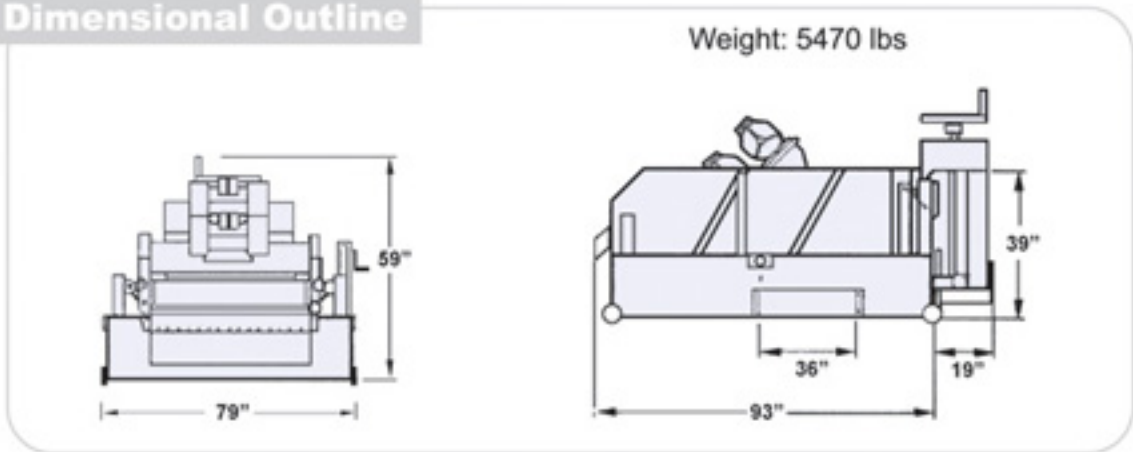
5055 CRANSWICK • HOUSTON, TX 77041
TEL: (713) 541-2020 • FAX (713) 541-9090 • TOLL FREE 1-800-255-6263



FS300 *Thunderbird* **Linear Motion Shaker**

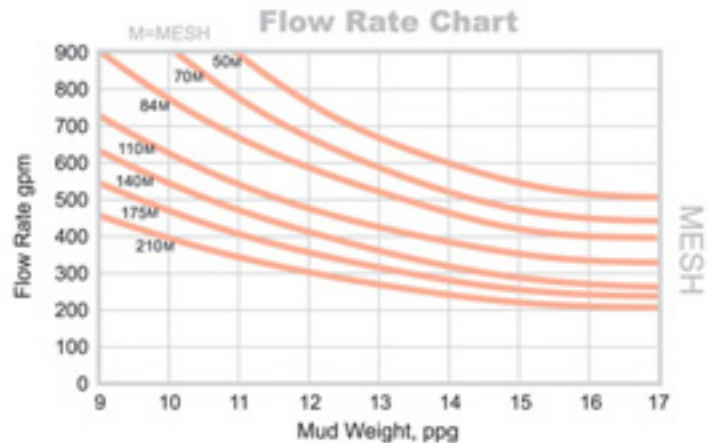
FS300 O'Drill Linear Shaker... It's rugged, it's durable!!!

Dimensional Outline



Technical Data

Screen type	Pretension
Screen panels	3
Screen area	27.2 sq. ft.
Motors	2
Classification	Explosion-proof UL, CSA, CE Class I,II Group C, D, E, F, G
Motor weight	297 lbs
HP	2.5
Counterweights	Adjustable
G-Force	Set at 7.7, adjustable
Lubrication	Kluber grease
Deck angle	variable -2 to +6 degrees



*Look & compare
we are your
best choice!!!*

Top quality. Lowest prices... Guaranteed!!!

O'DRILL/MCM, INC.
SOLIDS CONTROL DIVISION
5055 CRANSWICK • HOUSTON, TX 77041
TEL: (713) 541-2020 • FAX (713) 541-9090 • TOLL FREE 1-800-255-6263
e-mail: sales@odrillmcm.com website: www.odrillmcm.com